

» WRF04 CO2

Combined room sensor CO2 / temperature / humidity

thermokon[®]
HOME OF SENSOR TECHNOLOGY

Datasheet · 281836

Subject to technical alteration
Issue date: 13.11.2019 • A100



» APPLICATION

Room sensor for detecting CO2 content and optionally temperature and humidity. The maintenance-free sensor creates the conditions for a pleasant room climate and increased well-being. Typical applications are schools, office buildings, hotels, cinemas and similar. The device is additionally available with LED display (traffic light function), LCD and relay output with adjustable threshold values. The device is mounted directly on the wall, on a flush-mounted box or in conjunction with a frame for surface-mounting (see accessories).

» TYPES AVAILABLE

Room sensor CO2 + temperature – active 2x 0..10 V

WRF04 CO2 VV
WRF04 CO2 VV LCD
WRF04 CO2 VV TLF
WRF04 CO2 VV LCD TLF

Room sensor CO2 + temperature + relative humidity – active 3xV 0..10 V

WRF04 CO2 rH 3xV
WRF04 CO2 rH 3xV LCD
WRF04 CO2 rH 3xV TLF
WRF04 CO2 rH 3xV LCD TLF

» SECURITY ADVICE – CAUTION



The installation and assembly of electrical equipment should only be performed by authorized personnel.

The product should only be used for the intended application. Unauthorised modifications are prohibited! The product must not be used in relation with any equipment that in case of a failure may threaten, directly or indirectly, human health or life or result in danger to human beings, animals or assets. Ensure all power is disconnected before installing. Do not connect to live/operating equipment.

Please comply with

- Local laws, health & safety regulations, technical standards and regulations
- Condition of the device at the time of installation, to ensure safe installation
- This data sheet and installation manual

» NOTES ON DISPOSAL



As a component of a large-scale fixed installation, Thermokon products are intended to be used permanently as part of a building or a structure at a pre-defined and dedicated location, hence the Waste Electrical and Electronic Act (WEEE) is not applicable. However, most of the products may contain valuable materials that should be recycled and not disposed of as domestic waste. Please note the relevant regulations for local disposal.

» REMARKS TO ROOM SENSORS

Location and Accuracy of Room Sensors

The room sensor should be mounted in a suitable location for measuring accurate room temperature. The accuracy of the temperature measurement also depends directly on the temperature dynamics of the wall. It is important, that the back plate is completely flush to the wall so that the circulation of air occurs through the vents in the cover. Otherwise, deviations in temperature measurement will occur due to uncontrolled air circulation. Also the temperature sensor should not be covered by furniture or similar devices. Mounting next to doors (due to draught) or windows (due to colder outside wall) should be avoided.

The temperature dynamics of the wall will influence the temperature measurement. Various wall types (brick, concrete, dividing and hollow brickwork) all have different behaviours with regards to thermal variations.

Surface and Flush Mounting

The temperature dynamics of the wall influence the measurement result of the sensor. Various wall types (brick, concrete, dividing and hollow brickwork) have different behaviours with regard to thermal variations. A solid concrete wall responds to thermal fluctuations within a room in a much slower way than a light-weight structure wall. Room temperature sensors installed in flush boxes have a longer response time to thermal variations. In extreme cases they detect the radiant heat of the wall even if the air temperature in the room is lower for example. The quicker the dynamics of the wall (temperature acceptance of the wall) or the longer the selected inquiry interval of the temperature sensor is the smaller the deviations limited in time are.

» BUILD-UP OF SELF-HEATING BY ELECTRICAL DISSIPATIVE POWER

Temperature sensors with electronic components always have a dissipative power, which affects the temperature measurement of the ambient air. The dissipation in active temperature sensors shows a linear increase with rising operating voltage. This dissipative power has to be considered when measuring temperature. In case of a fixed operating voltage ($\pm 0,2$ V) this is normally done by adding or reducing a constant offset value. As Thermokon transducers work with a variable operating voltage, only one operating voltage can be taken into consideration, for reasons of production engineering. Transducers 0..10 V / 4..20 mA have a standard setting at an operating voltage of 24 V =. That means, that at this voltage, the expected measuring error of the output signal will be the least. For other operating voltages, the offset error will be increased by a changing power loss of the sensor electronics. If a re-calibration should become necessary later directly on the sensor, this can be done by means of a trimming potentiometer on the sensor board.

Remark: Occurring draft leads to a better carrying-off of dissipative power at the sensor. Thus temporally limited fluctuations might occur upon temperature measurement.

» APPLICATION NOTICE FOR HUMIDITY SENSORS

Refrain from touching the sensitive humidity sensor/element. Touching the sensitive surface will void warranty.

For standard environmental conditions re-calibration is recommended once a year to maintain the specified accuracy.

When exposed to high ambient temperature and/or high levels of humidity or presence of aggressive gases (i.e. chlorine, ozone, ammonia) the sensor element may be affected and re-calibration may be required sooner than specified. Re-calibration and deterioration of the humidity sensor due to environmental conditions are not subject of the general warranty.

» INFORMATION ABOUT INDOOR AIR QUALITY CO₂

EN 13779 defines several classes for indoor air quality:

Category	CO ₂ content above the content in outdoor air in ppm		Description
	Typical range	Standard value	
IDA1	<400 ppm	350 ppm	Good indoor air quality
IDA2	400.. 600 ppm	500 ppm	Standard indoor air quality
IDA3	600..1.000 ppm	800 ppm	Moderate indoor air quality
IDA4	>1.000 ppm	1.200 ppm	Poor indoor air quality

» INFORMATION ABOUT SELF-CALIBRATION FEATURE CO₂

Virtually all gas sensors are subject to some sort of drift. The degree of drift is partially dependent on the use of quality components and good design. But even with good components and excellent design, a small amount of drift can still occur in the sensor that may ultimately result in the need for a sensor to be recalibrated.

The natural drift of the sensor is caused by:

- Dust/dirt
- Aggressive chemicals absorbed inside chamber / optical elements
- Corrosion inside chamber (high rh, condensation)
- Temperature cycles causing mechanical stress
- Electron/hole migration in the photo detector's semiconductor
- Drift of photo amplifiers
- External mechanical stress on chamber
- Light source wear-off

Most of the effects listed above will be compensated by the automatic self-calibration of the sensor's dual channel technology. In contrast to commonly used ABC-Logic self-calibrating sensors with dual channel technology are suitable for all applications including those operating 24 hours, 7 days a week, for example hospitals.

However some effects cannot be compensated automatically and may result in a very gradual natural drift of a few ppm per month. This natural drift is not covered by Thermokon's 5-year warranty.

» PRODUCT TESTING AND CERTIFICATION



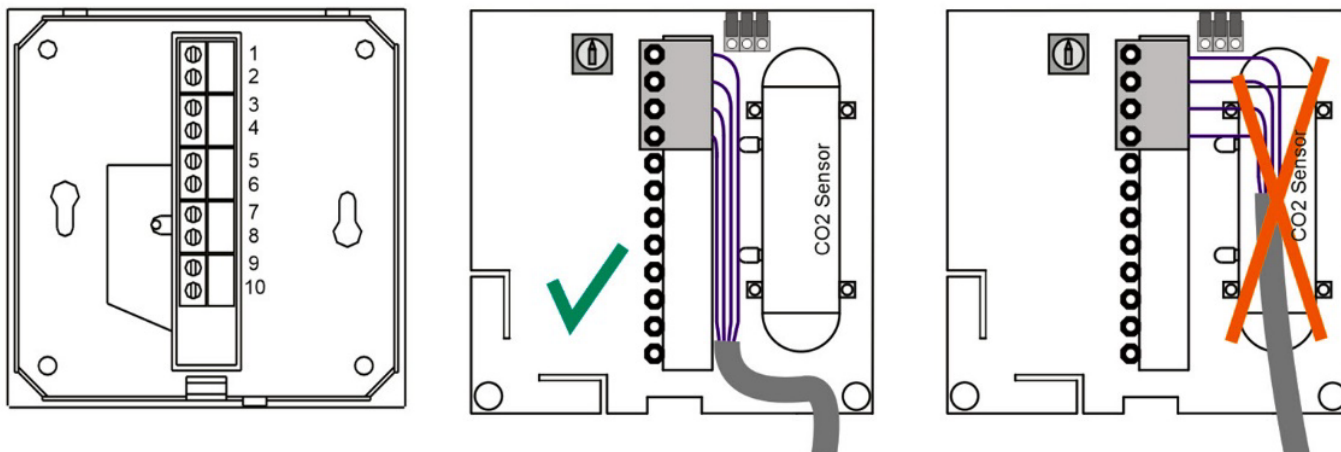
Declaration of conformity

The declaration of conformity of the products can be found on our website <https://www.thermokon.de/>.

» **TECHNICAL DATA**

Measuring values	CO ₂ , temperature, humidity	
Output voltage (type-dependent)	VV 2x 0..10 V (min. load 10 kΩ)	3xV 3x 0..10V (min. load 10 kΩ)
Output passive (optional)	passive temperature sensor	
Output switch contact (optional)	change-over contact, floating, for 24 V =/~ max. 2 A adjustable CO ₂ threshold value	
Power supply	15..24 V = (±10%) or 24 V~ (±10%) SELV	
Power consumption	max. 3 W (24 V = 6 VA (24 V =)	
Measuring range temperature	0..+50 °C	
Measuring range humidity (type-dependent)	0..100% rH non-condensing	
Measuring range CO₂	0..2000 ppm	
Accuracy temperature	±0,5 K (typ. at 21 °C)	
Accuracy humidity (type-dependent)	±2% between 10..90% rH (typ. at 21 °C)	
Accuracy CO₂	±75 ppm or 10% of measuring range (typ. at 21 °C), whatever is greater	
Calibration	self-calibration, dual channel	
Sensor	NDIR (non-dispersive, infrared)	
Display (optional)	LCD 29x12 mm, monochrome, 3 LEDs showing air quality (traffic light function 'TLF')	
Enclosure	PC, pure white	
Protection	IP30 according to EN 60529	
Cable entry	breaking points top/bottom, entry on rear	
Connection electrical	terminal block, max. 1,5mm ²	
Ambient condition	0..+50 °C, max. 85% rH non-condensing	
Mounting	to be mounted flat onto the surface using adhesive foil or screws, with frame for surface mounting (accessory) or directly on the wall, base part can be mounted and wired separately	
Notes	optional with display "LCD", optional with relay (floating, max. 24 V / 2 A (ohmic)), optional with traffic light function "TLF", additional passive sensor available (please specify in order)	

» **CONNECTION PLAN**



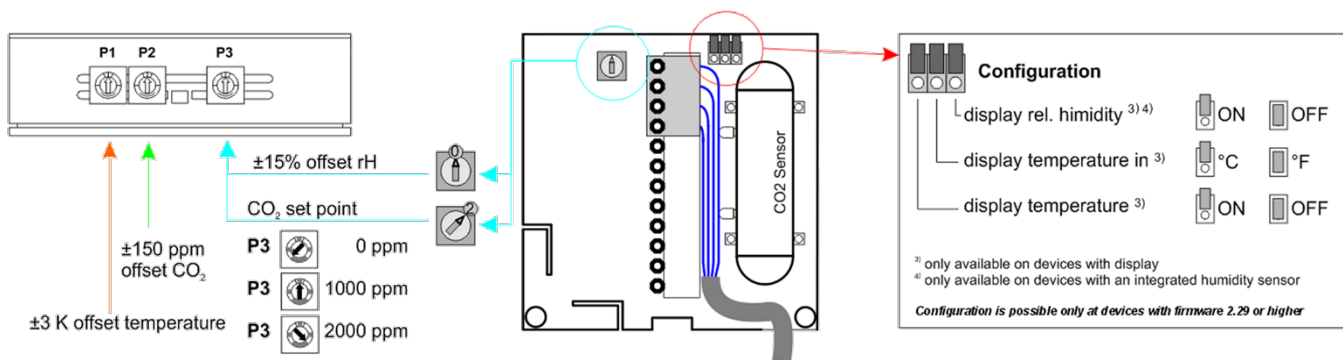
Clamp	Type WRF04 CO2 VV		Type WRF04 CO2 3xV	
1	GND/AC2		GND/AC2	
2	15..24 V = (±10%) or 24 V~ (±10%) SELV		15..24 V = (±10%) or 24 V~ (±10%) SELV	
3	Temp.	0..10 V	Temp.	0..10 V
4	CO ₂	0..10 V	CO ₂	0..10 V
5	Not used		Rel. humidity	0..10 V
6	passive sensor	(optional)	passive sensor	(optional)
7	passive sensor	(optional)	passive sensor	(optional)
8	relay C	(optional)	relay C	(optional)
9	relay NO	(optional)	relay NO	(optional)
10	relay NC	(optional)	relay NC	(optional)

» **TLF - TRAFFIC LIGHT FUNCTION (OPTIONAL)**

The 3 LEDs visualize the air quality

CO ₂	Behavior of the LEDs
0..750 ppm	green LED lights up
751..1250 ppm	yellow LED lights up
1251..2000 ppm	red LED lights up

» **CONFIGURATION**



Potentiometer	Description		
P1	Offset temperature		±3 K
P2	Offset CO ₂		±150 ppm
P3	mode switch position 0		Offset rel. humidity
	mode switch position 2		CO ₂ switching threshold
			±15% rH
			for relay pption

For configuration set mode switch to the appropriate position and then choose offset or set point using P1 to P3. With changing P1 to P3 the value is stored in the device.

Changing set point will not change offset for rel. humidity, if the mode switch has been set to the correct position.

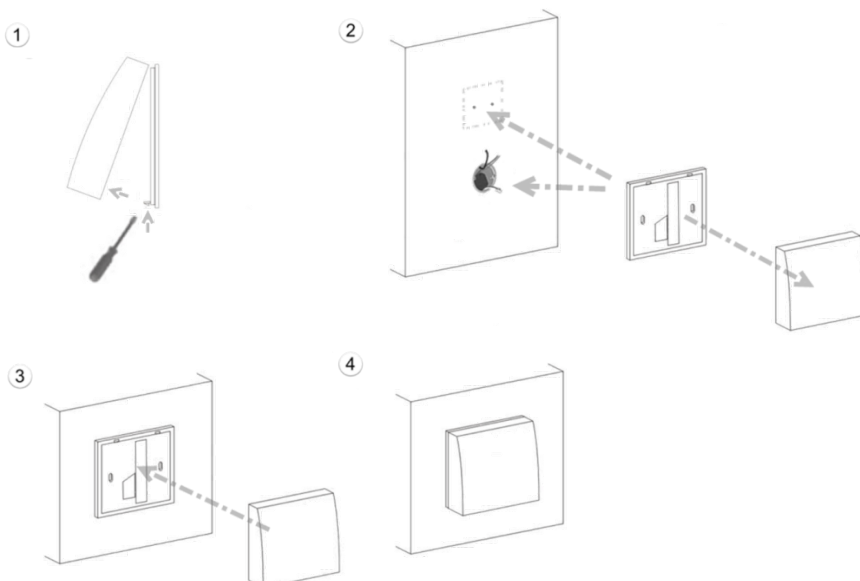
» **MOUNTING ADVICES**

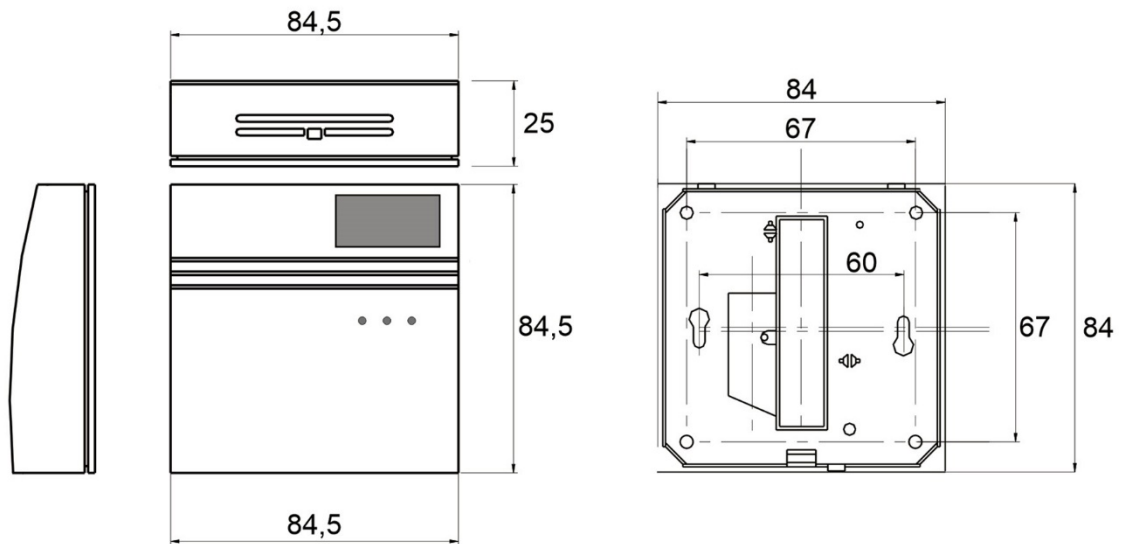
Make sure that the device is power-off, if you install it!

The device can be installed on a smooth wall surface or a flush box. A representative location for room temperature without direct insolation should be selected for the device.

The use of deep installation boxes is recommended due to increased storage capacity for the wires. Empty tubes have to be sealed to avoid air draught from the installation tube.

- (1) For wiring, the upper part of the base plate has to be removed. Base plate and upper part are connected via snap tab located in the middle of the enclosure bottom.
- (2) The installation of the base plate to the smooth wall surface can be done either by sticking using the enclosed adhesive film (A) as well as using plugs and screws.
- (3) Finally the device is clicked into the base plate.



» DIMENSIONS (MM)**» ACCESSORIES (OPTIONAL)**

Rawlplugs and screws (2 pcs. each)
Frame for surface mounting WRF04
Ball stroke protection BS100

Item No.: 102209
Item No.: 111584
Item No.: 103312