

Datasheet

Subject to technical alteration
Issue date: 28.11.2017 A001



Application

Wireless switch for key card activation for regulation of lighting and air-conditioning applications in room control. The self powered wireless technology enables a flexible installation on glass and wall plaster via double-sided adhesive pads or screws.

Types Available

Wireless card switch

SR-KCS02

Security Advice – Caution



The installation and assembly of the device should only be performed by authorized personnel.

The product should only be used for the intended application. Unauthorised modifications are prohibited! The product must not be used in relation with any equipment that in case of a failure may threaten, directly or indirectly, human health or life or result in danger to human beings, animals or assets. Ensure all power is disconnected before installing. Do not connect to live/operating equipment.

Please comply with

- Local laws, health & safety regulations, technical standards and regulations
- Condition of the device at the time of installation, to ensure safe installation
- This data sheet and installation manual

Notes on Disposal



As a component of a large-scale fixed installation, Thermokon products are intended to be used permanently as part of a building or a structure at a pre-defined and dedicated location, hence the Waste Electrical and Electronic Act (WEEE) is not applicable. However, most of the products may contain valuable materials that should be recycled and not disposed of as domestic waste. Please note the relevant regulations for local disposal.

Information about EasySens® (radio)



Basic information about EasySens® radio, please download from the following link

http://www.thermokon.de/ftp/info/Information_Radio_airConfig_en.pdf

Technical Data

Radio technology	EnOcean (IEC 14543-3-10)
Frequency	868 MHz
Power supply	maintenance-free, electrodynamic energy generator
Transmission interval	at status change
Enclosure	PC, pure white
Protection	IP20 according to EN60529
Ambient condition	0..+40 °C, max. 85% rH non-condensing
Mounting	to be mounted flat onto the surface using adhesive foil or screws

Overview EnOcean Equipment Profiles (EEP)

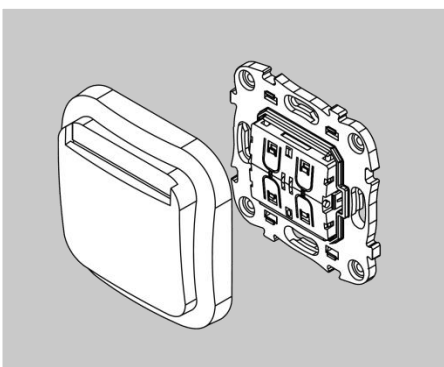
SR-KCS02	F6-04-01
-----------------	----------



EEP

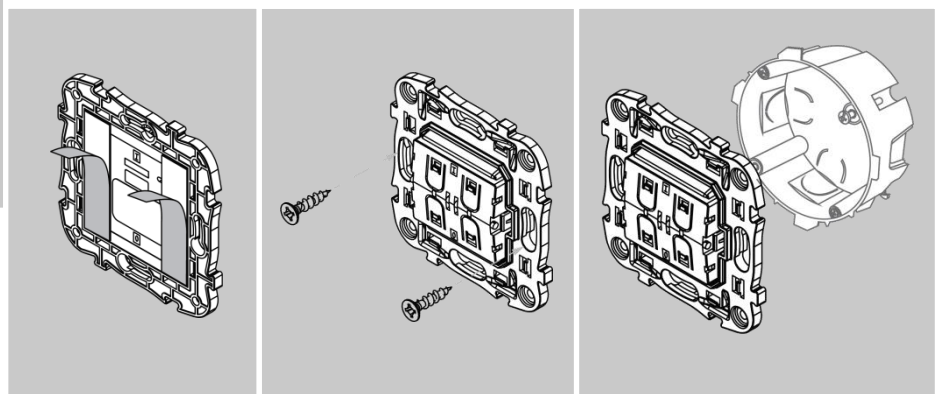
The structure of the data contained in the telegram can be found in the EEP (EnOcean equipment profile) list provided by the EnOcean Alliance: <http://www.enocean-alliance.org/EEP/>.

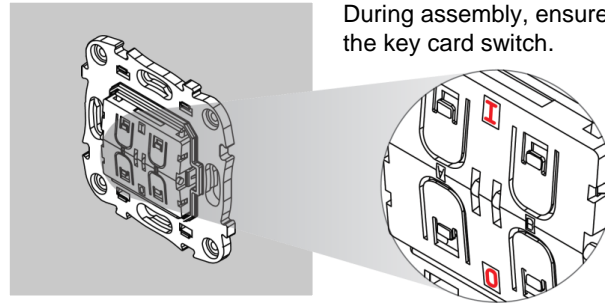
Mounting Advice



Mount key card switch to the smooth wall surface or flush mounting box using double sided tape or screws. The retaining screws may only be tightened hand tight.

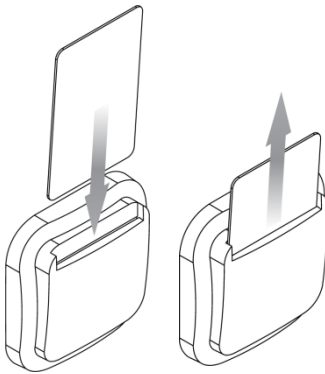
The devices are supplied in operational state. Make a flat surface before mounting on rough surfaces. Unevenness can lead to a malfunction of the transmitter. Observe the mounting position of the transmitter during installation. Remove the trim plate from the key card assembly.





During assembly, ensure the correct orientation (top / bottom) of the key card switch.

Commissioning



To make sure that the switch information is interpreted correctly at the receiver, it is necessary to learn-in the key card switch into the receiver. This is done automatically by actuation of the key card switch.

Please put the receiver into the learning mode. Afterwards, the key card switch must be activated by inserting a suitable card.

Please note, that for the activation, the card must at least be inserted for 5 seconds to complete the teaching-in procedure correctly.

Details to be found in the corresponding software documentation of the receiver.

Dimensions (mm)

80 x 80 x 20 mm

Accessories (included in delivery)

Adhesive foil for fixing the base plate

Item No. 234726