

## » FTK+ (LCD) (Relais)

Duct sensor for humidity and temperature

**thermokon**<sup>®</sup>  
HOME OF SENSOR TECHNOLOGY

### Datasheet

Subject to technical alteration  
Issue date: 16.10.2019 • A101



The following illustrations show the version with LCD

### » APPLICATION

Duct sensor for measuring humidity and temperature in gaseous media of heating, ventilation and air-conditioning systems. In delivery condition, the sensor is designed for measuring temperature and relative humidity. Alternatively the output can be set to absolute humidity, enthalpy or dew point (changeable using Thermokon USEapp). LCD models with RGB background light have a transparent cover. Display configuration and threshold values for color changes can be parameterized via Thermokon USEapp. With the option board relay two-point controllers or a 2-stage 2-point controller for temperature or humidity can be realized. A mounting flange and fixing material are included in delivery.

### » TYPES AVAILABLE

#### Duct humidity sensor with display temperature + humidity – active 2x 0..10 V

FTK+ 140 LCD VV incl. MF20  
FTK+ 270 LCD VV incl. MF20  
FTK+ 400 LCD VV incl. MF20

#### Duct humidity sensor with display temperature + humidity – active 2x 4..20 mA

FTK+ 140 LCD AA incl. MF20  
FTK+ 270 LCD AA incl. MF20  
FTK+ 400 LCD AA incl. MF20

#### Duct humidity sensor optional with display temperature + humidity – active 2x 0..10 V + relay

FTK+ 140 (LCD) VV Relay incl. MF20  
FTK+ 270 (LCD) VV Relay incl. MF20  
FTK+ 400 (LCD) VV Relay incl. MF20

Options: Additional passive temperature sensor (type VVS|AAS)  
eg: PT100/PT1000/Ni1000/Ni1000TK5000/NTC10K... and other sensors on request

## » SECURITY ADVICE – CAUTION



The installation and assembly of electrical equipment should only be performed by authorized personnel.

The product should only be used for the intended application. Unauthorised modifications are prohibited! The product must not be used in relation with any equipment that in case of a failure may threaten, directly or indirectly, human health or life or result in danger to human beings, animals or assets. Ensure all power is disconnected before installing. Do not connect to live/operating equipment.

Please comply with

- Local laws, health & safety regulations, technical standards and regulations
- Condition of the device at the time of installation, to ensure safe installation
- This data sheet and installation manual

## » NOTES ON DISPOSAL



As a component of a large-scale fixed installation, Thermokon products are intended to be used permanently as part of a building or a structure at a pre-defined and dedicated location, hence the Waste Electrical and Electronic Act (WEEE) is not applicable. However, most of the products may contain valuable materials that should be recycled and not disposed of as domestic waste. Please note the relevant regulations for local disposal.

## » GENERAL REMARKS CONCERNING SENSORS

Especially with regard to passive sensors in 2-wire conductor versions, the wire resistance of the supply wire has to be considered. If necessary the wire resistance has to be compensated by the follow-up electronics. Due to self-heating, the wire current affects the measurement accuracy, so it should not exceed 1 mA.

When using lengthy connection wires (depending on the cross section used) the measuring result might be falsified due to a voltage drop at the common GND-wire (caused by the voltage current and the line resistance). In this case, 2 GND-wires must be wired to the sensor - one for supply voltage and one for the measuring current.

Sensing devices with a transducer should always be operated in the middle of the measuring range to avoid deviations at the measuring end points. The ambient temperature of the transducer electronics should be kept constant. The transducers must be operated at a constant supply voltage ( $\pm 0,2$  V). When switching the supply voltage on/off, onsite power surges must be avoided.

## » BUILD-UP OF SELF-HEATING BY ELECTRICAL DISSIPATIVE POWER

Temperature sensors with electronic components always have a dissipative power, which affects the temperature measurement of the ambient air. The dissipation in active temperature sensors shows a linear increase with rising operating voltage. This dissipative power has to be considered when measuring temperature. In case of a fixed operating voltage ( $\pm 0,2$  V) this is normally done by adding or reducing a constant offset value. As Thermokon transducers work with a variable operating voltage, only one operating voltage can be taken into consideration, for reasons of production engineering. Transducers 0..10 V / 4..20 mA have a standard setting at an operating voltage of 24 V =. That means, that at this voltage, the expected measuring error of the output signal will be the least. For other operating voltages, the offset error will be increased by a changing power loss of the sensor electronics. If a re-calibration should become necessary later directly on the sensor, this can be done by means of the USEapp software and an optional Bluetooth interface.

**Remark: Occurring draft leads to a better carrying-off of dissipative power at the sensor. Thus temporally limited fluctuations might occur upon temperature measurement.**

## » APPLICATION NOTICE FOR HUMIDITY SENSORS

**Refrain from touching the sensitive humidity sensor/element. Touching the sensitive surface will void warranty.**

For standard environmental conditions re-calibration is recommended once a year to maintain the specified accuracy.

When exposed to high ambient temperature and/or high levels of humidity or presence of aggressive gases (i.e. chlorine, ozone, ammonia) the sensor element may be affected and re-calibration may be required sooner than specified. Re-calibration and deterioration of the humidity sensor due to environmental conditions are not subject of the general warranty.

## » PRODUCT TESTING AND CERTIFICATION



**Declaration of conformity**

The declaration of conformity of the products can be found on our website <https://www.thermokon.de/>.

» **TECHNICAL DATA**

<b>Measuring values</b>	temperature, humidity (humidity output configurable)	
<b>Output voltage</b> (type-dependent)	<b>VV</b> 2x 0..10 V or 0..5 V, min. load 10 kΩ (live-zero configuration via Thermokon USEapp)	
<b>Output Amp</b> (type-dependent)	<b>AA</b> 2x 4..20 mA, max. load 500 Ω	
<b>Output switching contact</b> (type-dependent)	<b>Relay</b> 2 floating contacts for 24 V ~ or 24 V = / 3 A	
<b>Power supply*</b>	<b>VV</b> 15..35 V = or 19..29 V ~ SELV	<b>AA</b> 15..35 V = SELV
<b>Power consumption</b>	max. 2,3 W (24 V =)   4,3 VA (24 V ~)	
<b>Measuring range temp</b>	-20..+80 °C (default setting), optionally configurable via Thermokon USEapp	
<b>Measuring range humidity</b>	0..100% rH non-condensing, optionally configurable via Thermokon USEapp (enthalpy, absolute humidity, dew point)	
<b>Accuracy temperature</b>	typ. 0,3 K (typ. at 21 °C)	
<b>Accuracy humidity</b>	±2% between 10..90% rH (typ. at 21 °C)	
<b>Air speed</b>	max. 12 m/s	
<b>Display</b> (optional with type relay)	LCD 29x35 mm with RGB backlight	
<b>Enclosure</b>	enclosure USE-M, PC, pure white, with removable cable entry, LCD: cover PC, transparent	
<b>Protection</b>	IP65 according to EN 60529	
<b>Cable entry</b> (type-dependent)	<b>VV   AA</b> Flextherm M20, for wire Ø=4,5..9 mm, removable	<b>Relay</b> M25 with fourfold cable entry for wire with max. Ø=7 mm, removable
<b>Connection electrical</b>	removable plug-in terminal, max. 2,5 mm <sup>2</sup>	
<b>Pipe</b>	PA6, black, Ø=19,5 mm, length=140   270   400 mm	
<b>Filter</b>	stainless steel wire mesh	
<b>Ambient condition</b>	-20..+70 °C, max. 85% rH short term condensation	
<b>Notes</b>	additional passive sensor available (type VVS   AAS)	

» **CONFIGURATION**

The Thermokon bluetooth dongle with micro-USB is required for communication between USEapp and USE-M / USE L (Item No.: 668262). Commercial bluetooth dongles are not compatible.

Application-specific reconfiguration of the devices can be carried out using the Thermokon USEapp. The configuration is carried out in the voltage-supplied state.



The configuration-app and the app description can be found in the Google Play Store or in the Apple App Store.



## » APPLICATION NOTICE



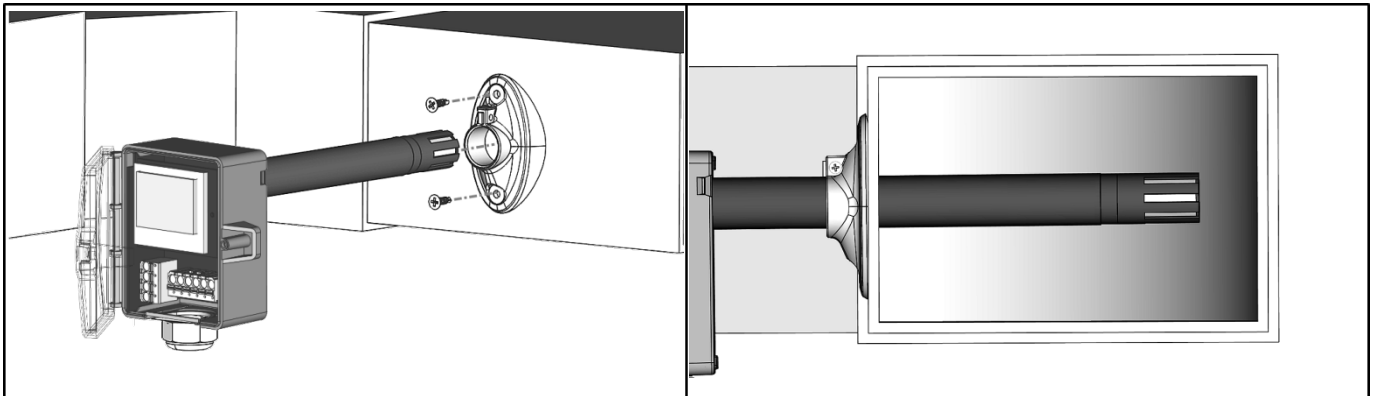
The housing cover must be completely closed in order to ensure the accuracy and reproducibility of the measured values during a test or service log via USEapp.

The Bluetooth dongle snaps into the socket easily. When removing, please fix the plug-in card (option PCB) so that it is not unintentionally pulled out.

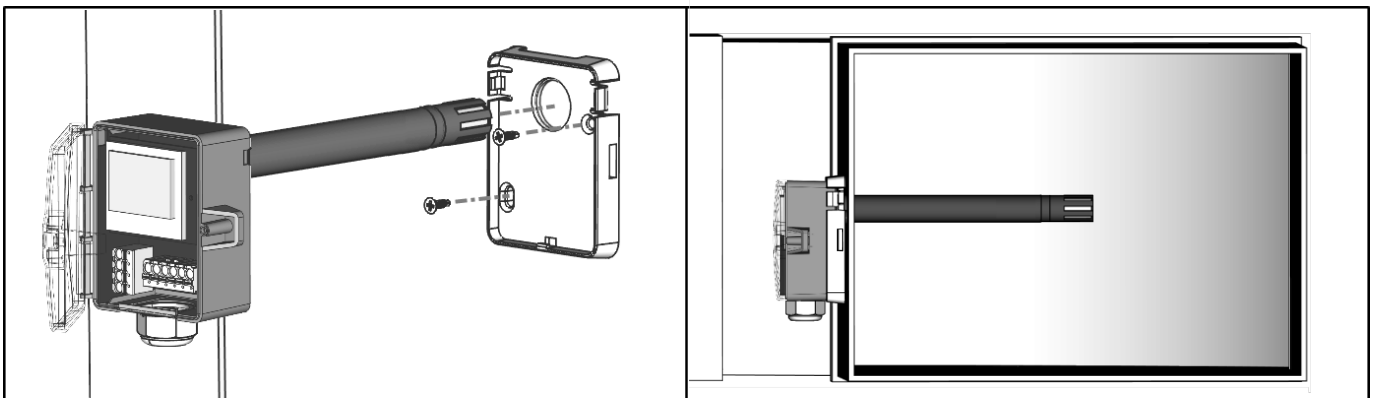
After a certain time, dirt in the air can collect on the filter and then adversely affect the operation of the sensor. Under normal ambient condition an annual maintenance is recommended. Rinse the filter after cleaning with distilled water and dry it using clean oil-free air or nitrogen. Extremely contaminated filters should be replaced. At extreme ambient conditions, e.g. corrosive gases, the humidity sensor may have to be changed.

## » MOUNTING ADVICES

The sensor can be mounted on the ventilation duct by means of the mounting flange MF20 TPO (optional with mounting base).

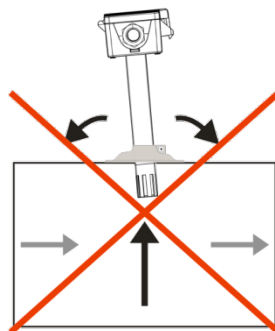


optional:



## » DISMOUNTING ADVICES

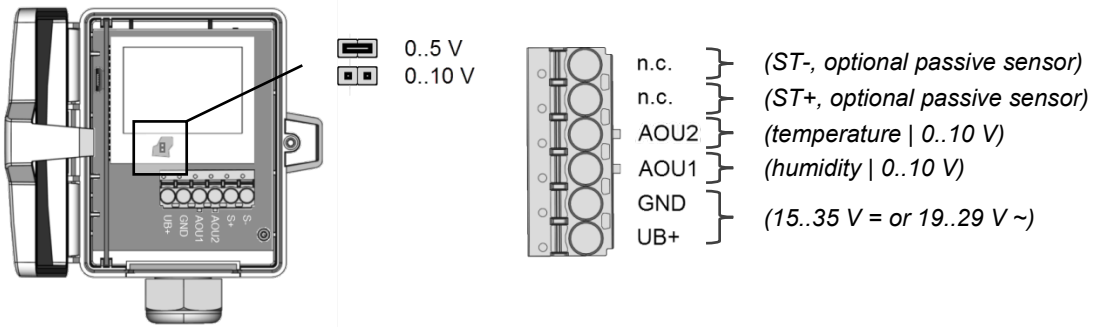
Remove the lower section of the sensor carefully and pulling straight out. **Pay close attention to the correct dismantling of the component!**



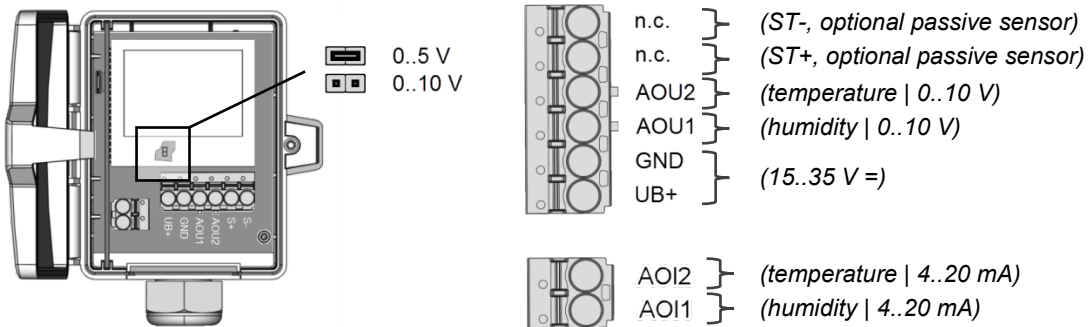
» **CONNECTION PLAN**

To change the output voltage range (default 0..10 V to 0..5 V) via jumper, the display must be removed from the board first.

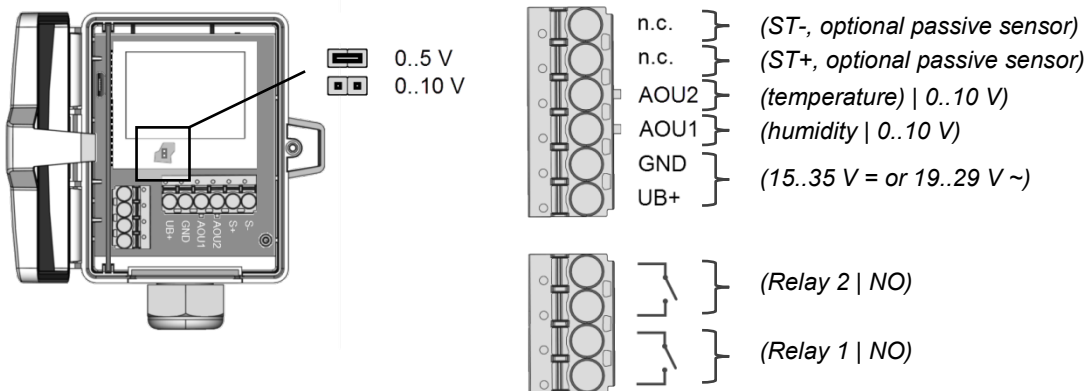
**FTK+ LCD VV**



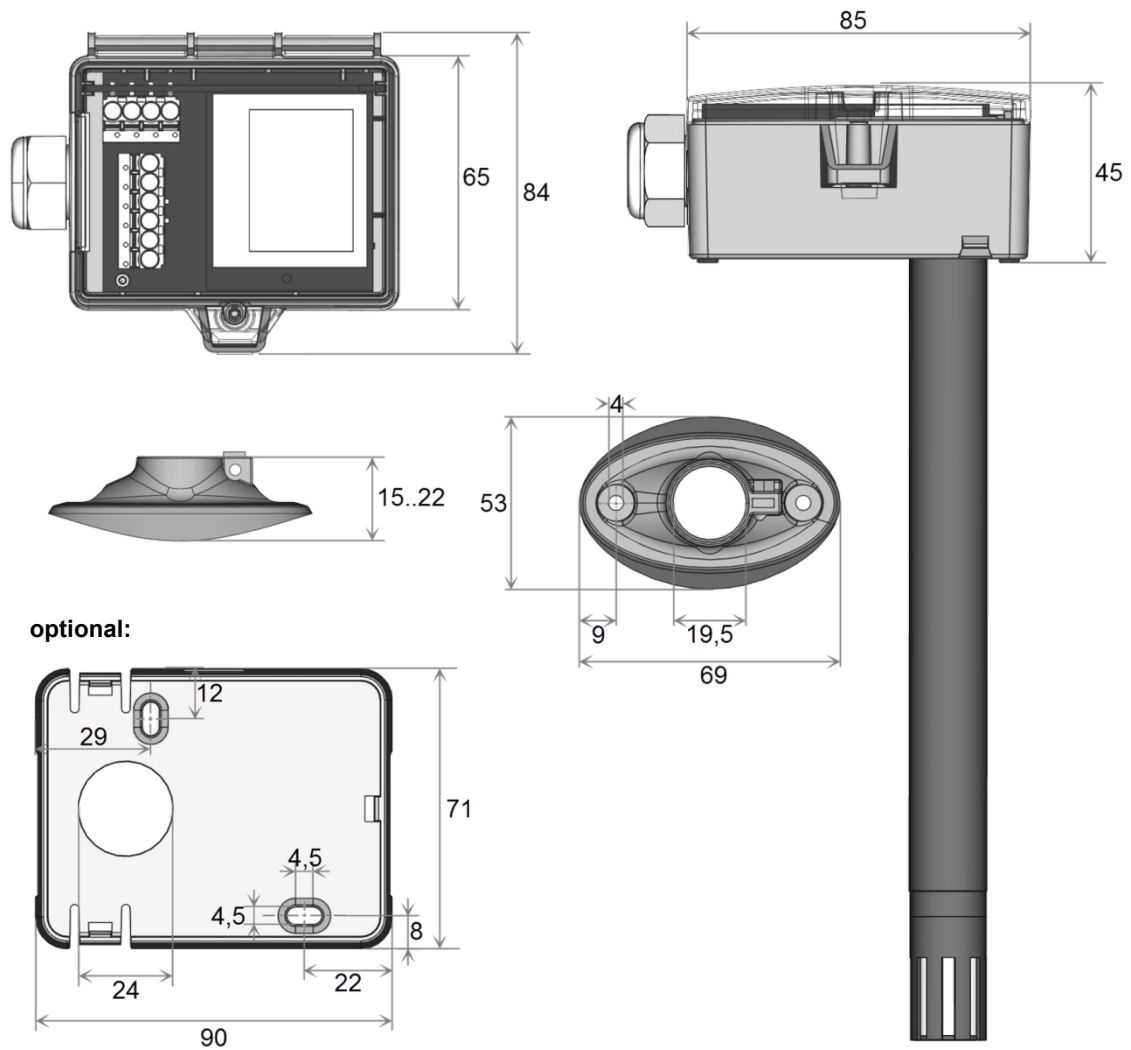
**FTK+ LCD AA**



**FTK+ (LCD) VV Relay**



## » DIMENSIONS (MM)



## » ACCESSORIES (INCLUDED IN DELIVERY)

Mounting flange MF20  
 Mounting kit universal  
 • Cover screw + screw cover • 2 Rawlplugs • 2 Screws (countersunk head) • 2 Screws (rounded head)

Item No. 612562  
 Item No. 698511

## » ACCESSORIES (OPTIONAL)

Bluetooth dongle  
 Cable entry M25 USE white, sealing insert 4x Ø=7 mm (4 pcs)  
 Mounting base  
 Filter stainless steel, wire mesh  
 Sealing insert M20 USE white, 2x Ø=7 mm (for 2 wire; PU 10 pieces)

Item No. 668262  
 Item No. 641364  
 Item No. 631228  
 Item No. 231169  
 Item No. 641333