

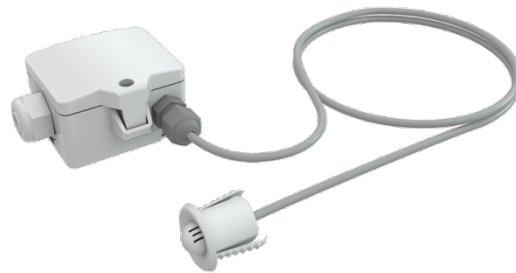
» FT-RDF18+

Room sensor temperature and humidity, flush mounting at ceiling

thermokon[®]
HOME OF SENSOR TECHNOLOGY

Datasheet

Subject to technical alteration
Issue date: 08.07.2019 • A100



» APPLICATION

Ceiling sensor for unobtrusive humidity and temperature measurement in the ceiling area of room and office spaces. Designed for control and monitoring applications. Replaces FT-RDF18 with the newly developed enclosure USE-S.

» TYPES AVAILABLE

Ceiling sensor temperature + humidity – active VV 2x 0..10 V | AA 2x 4..20 mA

FT-RDF18+ VV
FT-RDF18+ AA

» SECURITY ADVICE – CAUTION



The installation and assembly of electrical equipment should only be performed by authorized personnel.

The product should only be used for the intended application. Unauthorised modifications are prohibited! The product must not be used in relation with any equipment that in case of a failure may threaten, directly or indirectly, human health or life or result in danger to human beings, animals or assets. Ensure all power is disconnected before installing. Do not connect to live/operating equipment.

Please comply with

- Local laws, health & safety regulations, technical standards and regulations
- Condition of the device at the time of installation, to ensure safe installation
- This data sheet and installation manual

» NOTES ON DISPOSAL



As a component of a large-scale fixed installation, Thermokon products are intended to be used permanently as part of a building or a structure at a pre-defined and dedicated location, hence the Waste Electrical and Electronic Act (WEEE) is not applicable. However, most of the products may contain valuable materials that should be recycled and not disposed of as domestic waste. Please note the relevant regulations for local disposal.

» BUILD-UP OF SELF-HEATING BY ELECTRICAL DISSIPATIVE POWER

Temperature sensors with electronic components always have a dissipative power, which affects the temperature measurement of the ambient air. The dissipation in active temperature sensors shows a linear increase with rising operating voltage. This dissipative power has to be considered when measuring temperature. In case of a fixed operating voltage ($\pm 0,2$ V) this is normally done by adding or reducing a constant offset value. As Thermokon transducers work with a variable operating voltage, only one operating voltage can be taken into consideration, for reasons of production engineering. Transducers 0..10 V / 4..20 mA have a standard setting at an operating voltage of 24 V =. That means, that at this voltage, the expected measuring error of the output signal will be the least. For other operating voltages, the offset error will be increased by a changing power loss of the sensor electronics. If a re-calibration should become necessary later directly on the sensor, this can be done by means of a trimming potentiometer on the sensor board.

Remark: Occurring draft leads to a better carrying-off of dissipative power at the sensor. Thus temporally limited fluctuations might occur upon temperature measurement.

» APPLICATION NOTICE FOR HUMIDITY SENSORS

Refrain from touching the sensitive humidity sensor/element. Touching the sensitive surface will void warranty.

For standard environmental conditions re-calibration is recommended once a year to maintain the specified accuracy.

When exposed to high ambient temperature and/or high levels of humidity or presence of aggressive gases (i.e. chlorine, ozone, ammonia) the sensor element may be affected and re-calibration may be required sooner than specified. Re-calibration and deterioration of the humidity sensor due to environmental conditions are not subject of the general warranty.

» TECHNICAL DATA

Measuring values	temperature, humidity (humidity output configurable)	
Output voltage	VV 2x 0..10 V or 0..5 V, configurable via Jumper, min. load 5 k Ω	
Output ampere	AA 2x 4..20 mA, max. load 500 Ω	
Power supply	VV 15..24 V = ($\pm 10\%$) or 24 V ~ ($\pm 10\%$) SELV	AA 15..24 V = ($\pm 10\%$) SELV
Power consumption	VV typ. 0,4 W (24 V =) 0,8 VA (24 V ~)	AA typ. 1 W (24 V =)
Measuring range temp.	adjustable at the transducer: -20..+80 0..+50 -40..+60 -15..+35 °C default setting: -20..+80 °C	
Measuring range humidity	0..100% rH non-condensing	
Measuring range abs. hum.	adjustable at the transducer: 0..50 0..80 g/m ³ , default setting: 0..50 g/m ³	
Measuring range enthalpy	0..85 KJ/kg	
Measuring range dew point	adjustable at the transducer: 0..50 -20..+80 °C, default setting: 0..50 °C	
Accuracy temperature	$\pm 0,3$ K (typ. at 21 °C within default measuring range)	
Accuracy humidity	$\pm 2\%$ between 10..90% rH (typ. at 21 °C)	
Enclosure	enclosure USE-S, PC, pure white	
Protection	enclosure IP65 according to EN 60529	sensor head IP30 according to EN 60529
Cable entry	Flextherm M16, for wire $\varnothing=3..7$ mm, removable	
Connection electrical	removable plug-in terminal, max. 2,5 mm ² , connection wire sensor head to plug RJ12: PVC 0,15 m, connection wire bush RJ12 to enclosure: PVC 3 m	
Sensor head	ABS, white, $\varnothing=30$ mm	
Ambient condition	-35..+70 °C, max. 85% rH short term condensation	

» **PRODUCT TESTING AND CERTIFICATION**



Declaration of conformity

The declaration of conformity of the products can be found on our website <https://www.thermokon.de/>.

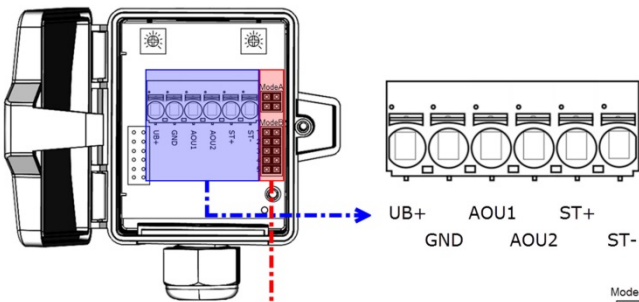
» **CONNECTION PLAN AND CONFIGURATION**

Note (type FT-RDF18+ AA)

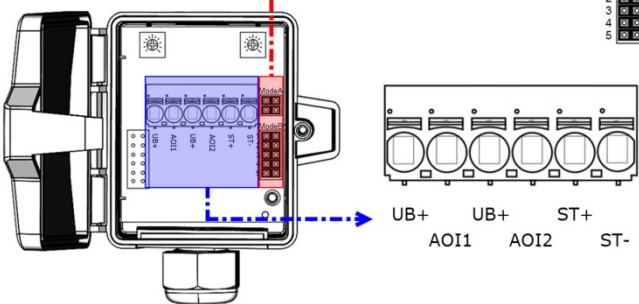
When only using the temperature output, the humidity output must always be connected to mass/GND of the analog input module.
 fig. (Measuring range and offset adjustment, default settings: -20 °C..+80 °C | 0 K)

AOI1 | AOU1 = humidity
 AOI2 | AOU2 = temperature

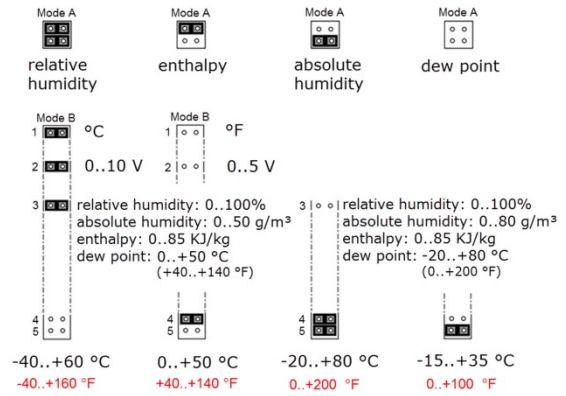
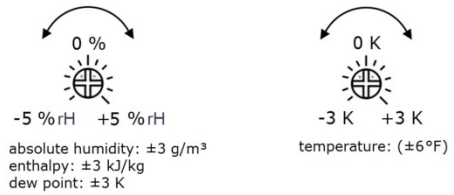
VV
 2x 0..10 V | 0..5 V



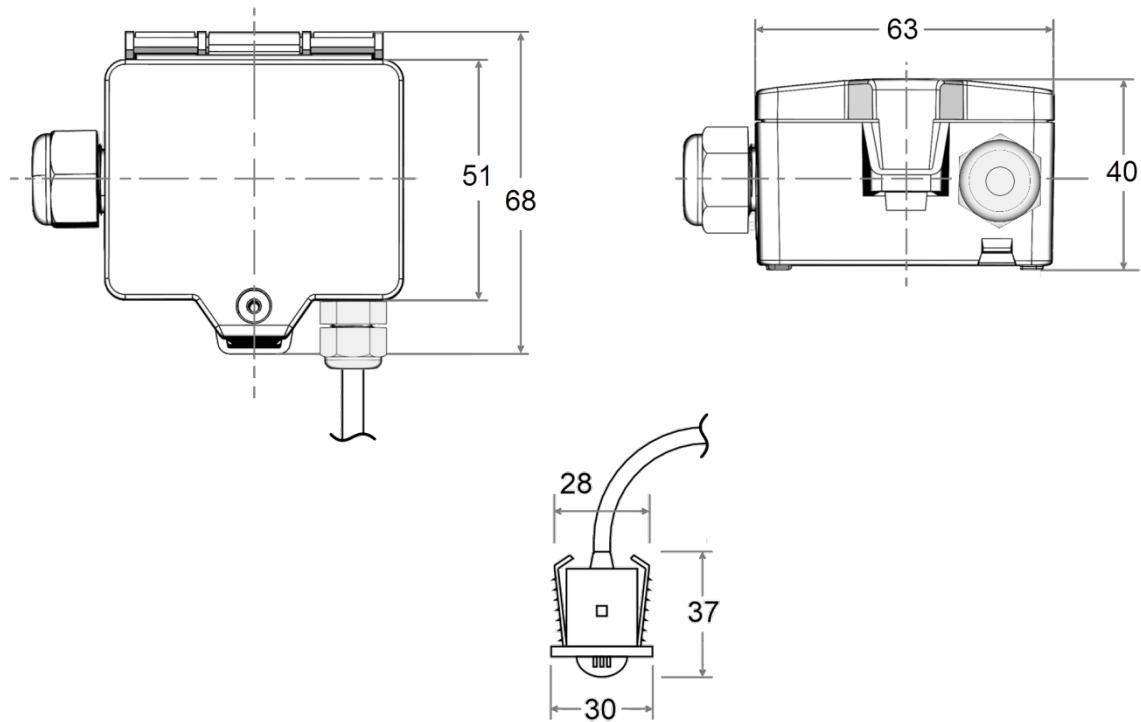
AA
 2x 4..20 mA



AOI1 | AOU1: humidity
 AOI2 | AOU2: temperature



» DIMENSIONS (MM)



» ACCESSORIES (INCLUDED IN DELIVERY)

Mounting base enclosure USE pure white

Mounting kit universal

• Cover screw + screw cover • 2 Rawlplugs • 2 Screws (countersunk head) • 2 Screws (rounded head)

Item No. 667722

Item No. 698511

» ACCESSORIES (OPTIONAL)

M16 Sealing inserts cable entry (packaging unit 10 pcs.) for wire with \varnothing 8 mm

Item No. 641340